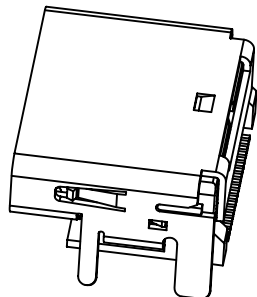
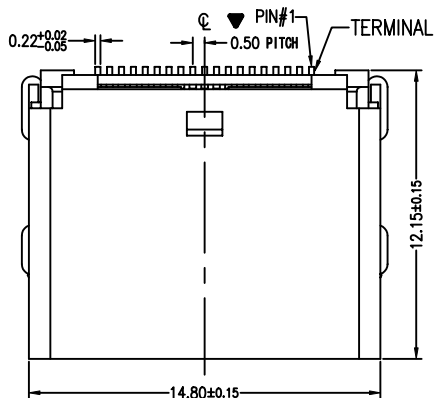
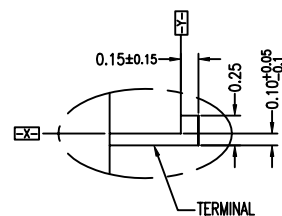
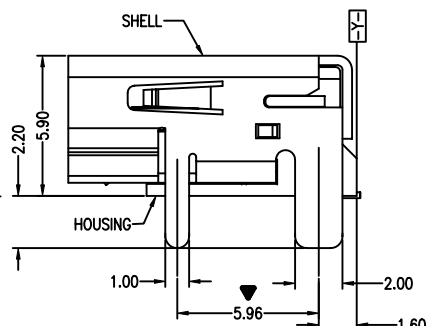
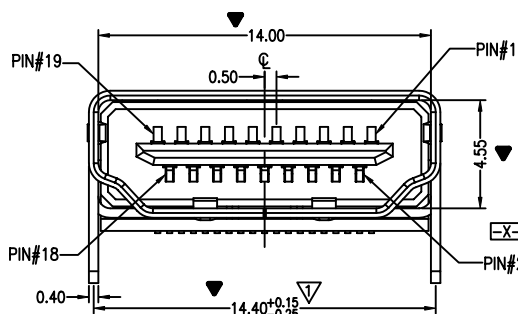


REV.	DATE	CONTENT	ECN.	NO.
A1	2004.03.07	▽		

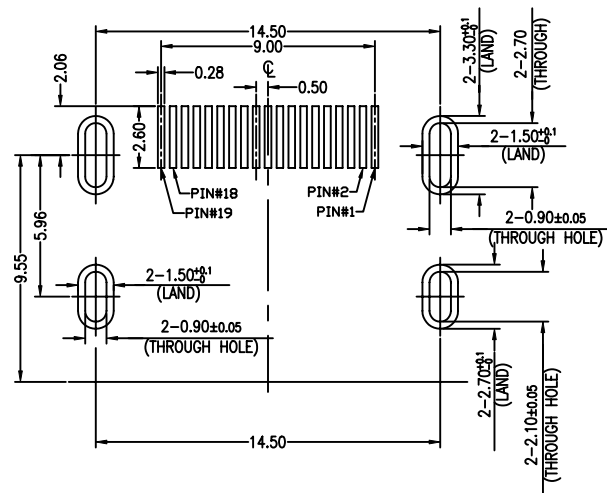


NOTE:

- MATERIAL
HOUSING: GLASS FILLED HEAT-RESISTED RESIN. UL94V-0
TERMINAL: COPPER ALLOY
SHELL COPPER ALLOY
- PLATING
TERMINAL : (CONTACT AREA) GOLD(Au)
(SOLDERTAIL AREA) TIN-COPPER
(UNDER-PLATING) NICKEL(Ni)
SHELL : TIN-COPPER
UNDER-PLATING NICKEL (Ni)
- PRODUCT CODE



RECOMMENDED P.C.B. PATTERN LAYOUT(T=1.6±0.1)



662	-	19	*	*	*	*	*	*	*	*
<ul style="list-style-type: none"> T--SMT ; D--DIP MARK: N--NO MARK ; B--BIZCONN COLOR: B--Black ; W--White Key pin: N--Full PLATING: <ul style="list-style-type: none"> SA--15u"Au, 50u"Ni,100u"Sn; SD--5u"Au,50u"Ni,100u"Sn; SE--10u"Au,50u"Ni,100u"Sn; SF--30u"Au,50u"Ni,100u"Sn; Terminal Material: <ul style="list-style-type: none"> P--PHOSPHOR BRONZE B--BRONZE SHELL PLATING: <ul style="list-style-type: none"> N--PLATING Ni T--PLATING Sn Z--PLATING Zn HOUSING: <ul style="list-style-type: none"> P:PBT L:LCP N:NYLON 19--19PIN ; 29--29PIN 662--HDMI HEADER 										

X. ± 0.50	X° ± 1°	UNITS: MM	NAME(INTENDED USE)	BizConn						
			CUSTOMER FOR		BizConn International Electronic CO.,LTD.					
.X ± 0.38	.X° ± 0.5°	MAT'L:	HDMI-19PIN HEADER(SMT)	FILE NO.:						
.XX ± 0.20	.XX° ±	FINISH	PART NO.(INTENDED USE)	WDR-032-03097						
.XXX ± 0.10	.XXX° ±		662-19*****	PROJECT NO.	BC-M03032					
QUALITY SYMBOLS			APPD:	<table border="1"> <tr> <td>SCALE</td> <td>SHEET</td> <td>REV.</td> </tr> <tr> <td>NONE</td> <td>1/1</td> <td>A1</td> </tr> </table>	SCALE	SHEET	REV.	NONE	1/1	A1
SCALE	SHEET	REV.								
NONE	1/1	A1								
CRITICAL=▽			CHKD:							
MAJOR=▼			DR: 郭平 2004.02.23							