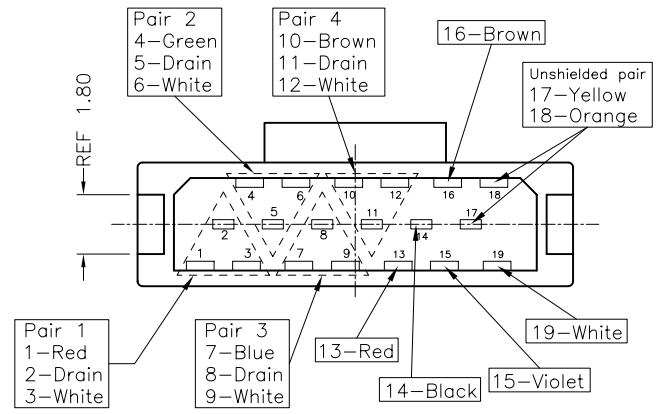
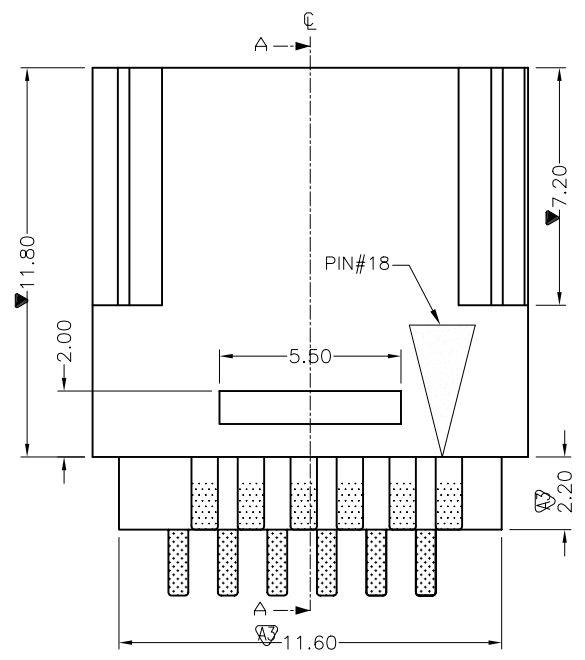
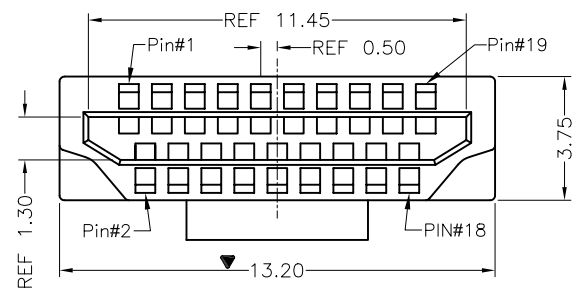
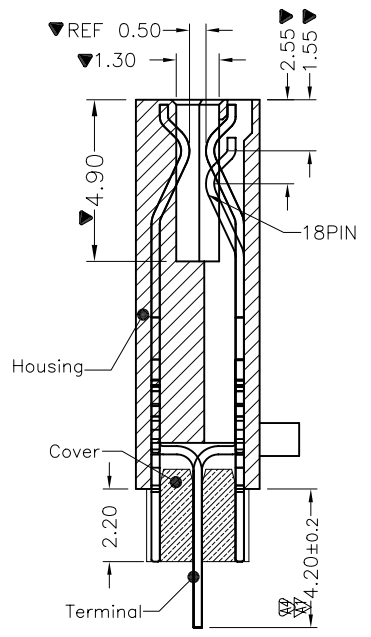


REV.	DATE	CONTENT	ECN.	NO.
A4	2004.07.02			



NOTE: 1. MATERIAL
HOUSING : GLASS FILLED HEAT-RESISTED RESIN.
UL94V-0
TERMINAL: COPPER ALLOY
2. PLATING
TERMINAL : (CONTACT AREA) GOLD(Au)
(SOLDERTAIL AREA) TIN-COPPER
(UNDER-PLATING) NICKEL(Ni)



Section A-A

3. PRODUCT CODE :
B660 - 19 F B ** N B N

- B: BIZCONN MARK
- N: NO MARK
- HOUSING COLOR
B: BLACK W: WHITE
- N: FULL PIN
- TERMINAL PLATING(CONTACT AREA)
SA: 15u"AU Min;
SB: 1u"AU Min;
SC: 3u"AU Min;
SD: 5u"AU Min;
SE: 10u"AU Min;
SF: 30u"AU Min;
- TERMINAL MATERIAL
P: PHOSPHOR BRONZE
B: BRONZE
- F: FEMALE
M: MALE
- 19: 19PIN
29: 29PIN
- 660: SOLDER TYPE(m)

X. ±0.25	X° ±1°	UNITS: MM	NAME(INTENDED USE) SALES FOR HDMI-19PIN FEMALE	BizConn BizConn International Electronic CO.,LTD.
.X ±0.20	.X° ±0.5°	MAT'L:	PART NO.(INTENDED USE) B660-19FPS*NBN	FILE NO.: WDR-032-03040
.XX ±0.15	.XX° ±	FINISH	APPD:	PROJECT NO. BC-M03026
.XXX ±0.03	.XXX° ±	Q'TY	CHKD:	SCALE SHEET REV. NONE 2/2 A4
QUALITY SYMBOLS CRITICAL=▽ MAJOR=▼		DR: 程襄東 2004.07.02		